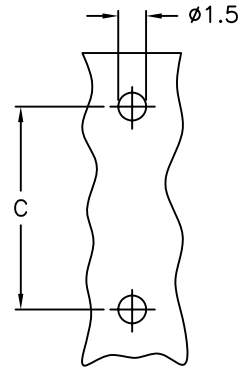
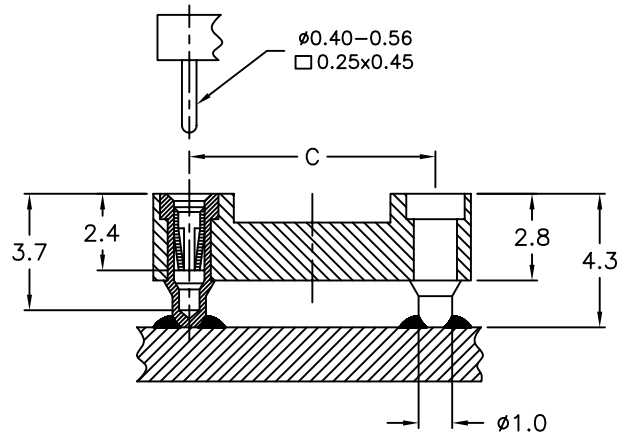
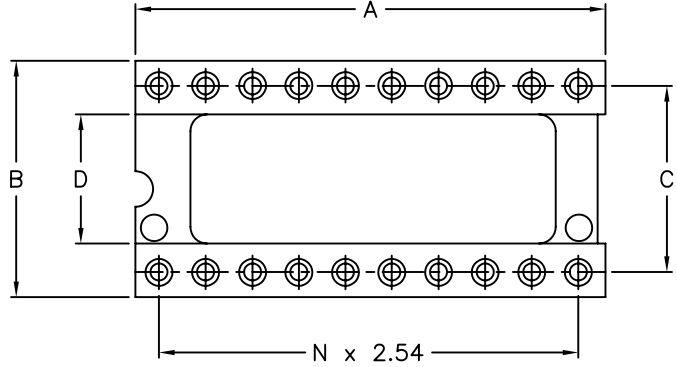


All information on this drawing is proprietary and may not be reproduced in any manner or made available to any unauthorized person/party without written permission of ALPHA PRODUCTS, INC.

REVISIONS			
REV.	DESCRIPTION	DATE	APPROVED


- MARKING:
- BAGGING:
- PACKING:
- LOGO (ALPHA ONLY):
- FULL LOGO:



2. SEE PAGE 2 FOR PART NUMBERS AND DIMENSIONS.
 1. ALL DIMENSIONS ARE IN MM.

NOTES:

847		
VCN	CCN	AGE
APPLICATION		


ITEM #	QTY REQD	UNIT MEASURE	PART OR IDENTIFYING NO.	NOMENCLATURE OR DESCRIPTION	MATERIAL SPECIFICATION
PARTS LIST					
TOLERANCES (UNLESS OTHERWISE SPECIFIED)			CONTRACT NO.		 351 IRVING DR, OXNARD, CA 93030 USA TEL: (805)981-8666 FAX: (805)988-6555 E-MAIL: info@alpha-products.com
MATERIAL			APPROVALS	DATE	
FINISH			DRAWN		
APPLICATION			CHECKED		
DO NOT SCALE DRAWING			ISSUED		PRECISION IC SOCKET, SURFACE MOUNT SIZE B FSCM NO. 8U759 DWG NO. 300/233C107071-1 REV. 1 OF 2
			SCALE NONE		SHEET 1 OF 2

CAD NO. 233C107071g SH REV.

All information on this drawing is proprietary and may not be reproduced in any manner or made available to any unauthorized person/party without written permission of ALPHA PRODUCTS, INC.

REVISIONS			
REV.	DESCRIPTION	DATE	APPROVED

PART NUMBER	# OF POS.	DIM "A"	DIM "B"	DIM "C"	DIM "D"
300/233C1500094	4	5.0	10.1	7.62	4.4
300/233C1070710	6	7.6	10.1	7.62	4.4
300/233C1070720	8	10.1	10.1	7.62	4.4
300/233C1500095	10	12.6	7.6	5.08	-
300/233C1070730	10	12.6	10.1	7.62	4.4
300/233C1070740	14	17.7	10.1	7.62	4.4
300/233C1070750	16	20.3	10.1	7.62	4.4
300/233C1070760	18	22.8	10.1	7.62	4.4
300/233C1070770	20	25.3	10.1	7.62	4.4
300/233C1070780	22	27.8	10.1	7.62	4.4
300/233C1070810	22	27.8	12.6	10.16	6.5
300/233C1070790	24	30.4	10.1	7.62	4.4
300/233C1070820	24	30.4	12.6	10.16	6.5
300/233C1070830	24	30.4	17.7	15.24	10.6
300/233C1070800	28	35.5	10.1	7.62	4.4
300/233C1070840	28	35.5	17.7	15.24	10.6
300/233C1070850	32	40.6	17.7	15.24	10.6
300/233C1070860	36	45.7	17.7	15.24	10.6
300/233C1070870	40	50.6	17.7	15.24	10.6

ITEM #	QTY REQD	UNIT MEASURE	PART OR IDENTIFYING NO.	NOMENCLATURE OR DESCRIPTION	MATERIAL SPECIFICATION
PARTS LIST					
TOLERANCES (UNLESS OTHERWISE SPECIFIED)				CONTRACT NO.	 351 IRVING DR, OXNARD, CA 93030 USA TEL: (805)981-8666 FAX: (805)988-6555 E-MAIL: info@alpha-products.com
MATERIAL				APPROVALS	
FINISH				DRAWN	PRECISION IC SOCKET, SURFACE MOUNT
APPLICATION				CHECKED	
DO NOT SCALE DRAWING				ISSUED	SIZE B FSCM NO. 8U759 DWG NO. 300/233C107071-2 REV.
SCALE NONE				SHEET 2 OF 2	

847		
VCN	CCN	AQE

NOTES: