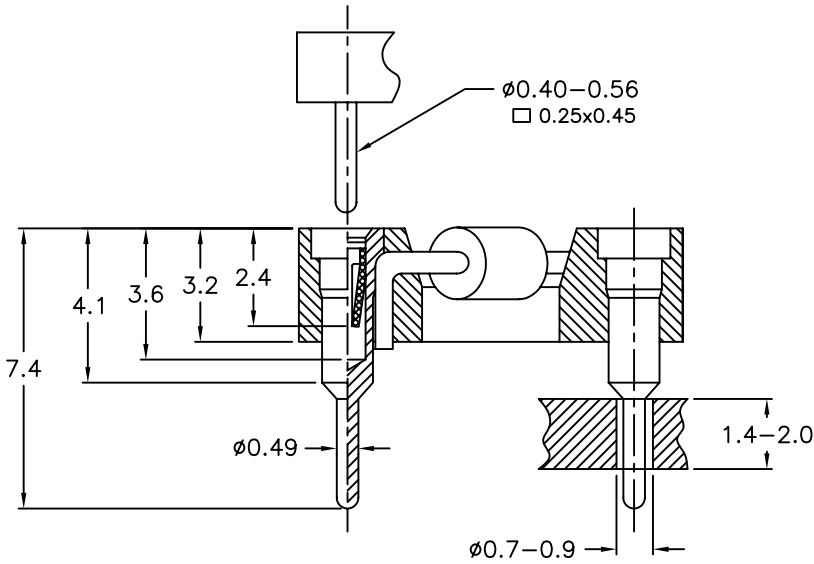
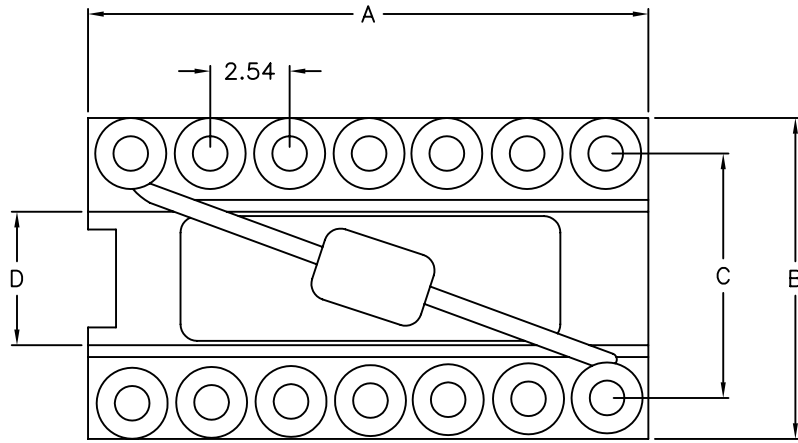


All information on this drawing is proprietary and may not be reproduced in any manner or made available to any unauthorized person/party without written permission of ALPHA PRODUCTS, INC.

REVISIONS			
REV.	DESCRIPTION	DATE	APPROVED

- MARKING:
- BAGGING:
- PACKING:
- LOGO (ALPHA ONLY):
- FULL LOGO:



Ø0.40-0.56
□ 0.25x0.45

2. SEE PAGE 2 FOR PART NUMBERS AND DIMENSIONS.
1. ALL DIMENSIONS ARE IN MM.

NOTES:

847		
VCN	CCN	AQE
APPLICATION		

ITEM #	QTY REQD	UNIT MEASURE	PART OR IDENTIFYING NO.	NOMENCLATURE OR DESCRIPTION	MATERIAL SPECIFICATION
PARTS LIST					
TOLERANCES (UNLESS OTHERWISE SPECIFIED)			CONTRACT NO.		<p>351 IRVING DR, OXNARD, CA 93030 USA TEL: (805)981-8666 FAX: (805)988-6555 E-MAIL: info@alpha-products.com</p>
MATERIAL			APPROVALS	DATE	
FINISH			DRAWN		
			CHECKED		
			ISSUED		<p>PRECISION IC SOCKET, W/CAPACITOR</p>
SIZE		FSCM NO.	DWG NO.		REV.
B		8U759	300/233C107060-1		
DO NOT SCALE DRAWING			SCALE NONE		SHEET 1 OF 2

All information on this drawing is proprietary and may not be reproduced in any manner or made available to any unauthorized person/party without written permission of ALPHA PRODUCTS, INC.

REVISIONS			
REV.	DESCRIPTION	DATE	APPROVED

PART NUMBER	# OF POS.	CAPACITOR	PLATING		DIM "A"	DIM "B"	DIM "C"	DIM "D"	PART NUMBER	# OF POS.	CAPACITOR	PLATING		DIM "A"	DIM "B"	DIM "C"	DIM "D"	PART NUMBER	# OF POS.	CAPACITOR	PLATING		DIM "A"	DIM "B"	DIM "C"	DIM "D"
			SLEEVE	CLIP								SLEEVE	CLIP								SLEEVE	CLIP				
300/233C1500021	8	100 nF	TIN	TIN	10.08	10.08	7.62	4.00	300/233C1070631	20	100 nF	TIN	TIN	25.32	10.08	7.62	4.00	300/233C1070671	24	100 nF	TIN	TIN	30.40	17.70	15.24	11.10
300/233C1500022			TIN	GOLD					300/233C1070632			TIN	GOLD					300/233C1070672			TIN	GOLD				
300/233C1500023			GOLD	GOLD					300/233C1070633			GOLD	GOLD					300/233C1070673			GOLD	GOLD				
300/233C1500031			TIN	TIN					300/233C1500111			TIN	TIN					300/233C1500191			TIN	TIN				
300/233C1500032		TIN	GOLD	300/233C1500112					TIN		GOLD	300/233C1500192	TIN					GOLD								
300/233C1500033		GOLD	GOLD	300/233C1500113					GOLD		GOLD	300/233C1500193	GOLD					GOLD								
300/233C1500041		TIN	TIN	300/233C1500121					TIN		TIN	300/233C1500201	TIN					TIN								
300/233C1500042		TIN	GOLD	300/233C1500122					TIN		GOLD	300/233C1500202	TIN					GOLD								
300/233C1500043	GOLD	GOLD	300/233C1500123	GOLD	GOLD	300/233C1500203	GOLD	GOLD																		
300/233C1070601	14	100 nF	TIN	TIN	17.70	10.08	7.62	4.00	300/233C1070641	22	100 nF	TIN	TIN	27.86	10.08	7.62	4.00	300/233C1070681	28	100 nF	TIN	TIN	35.48	17.70	15.24	11.10
300/233C1070602			TIN	GOLD					300/233C1070642			TIN	GOLD					300/233C1070682			TIN	GOLD				
300/233C1070603			GOLD	GOLD					300/233C1070643			GOLD	GOLD					300/233C1070683			GOLD	GOLD				
300/233C1500051			TIN	TIN					300/233C1500131			TIN	TIN					300/233C1500211			TIN	TIN				
300/233C1500052		TIN	GOLD	300/233C1500132					TIN		GOLD	300/233C1500212	TIN					GOLD								
300/233C1500053		GOLD	GOLD	300/233C1500133					GOLD		GOLD	300/233C1500213	GOLD					GOLD								
300/233C1500061		TIN	TIN	300/233C1500141					TIN		TIN	300/233C1500221	TIN					TIN								
300/233C1500062		TIN	GOLD	300/233C1500142					TIN		GOLD	300/233C1500222	TIN					GOLD								
300/233C1500063	GOLD	GOLD	300/233C1500143	GOLD	GOLD	300/233C1500223	GOLD	GOLD																		
300/233C1070611	16	100 nF	TIN	TIN	20.24	10.08	7.62	4.00	300/233C1070651	22	100 nF	TIN	TIN	27.86	12.12	10.08	7.40	300/233C1070691	32	100 nF	TIN	TIN	40.56	17.70	15.24	11.10
300/233C1070612			TIN	GOLD					300/233C1070652			TIN	GOLD					300/233C1070692			TIN	GOLD				
300/233C1070613			GOLD	GOLD					300/233C1070653			GOLD	GOLD					300/233C1070693			GOLD	GOLD				
300/233C1500071			TIN	TIN					300/233C1500151			TIN	TIN					300/233C1500231			TIN	TIN				
300/233C1500072		TIN	GOLD	300/233C1500152					TIN		GOLD	300/233C1500232	TIN					GOLD								
300/233C1500073		GOLD	GOLD	300/233C1500153					GOLD		GOLD	300/233C1500233	GOLD					GOLD								
300/233C1500081		TIN	TIN	300/233C1500161					TIN		TIN	300/233C1500241	TIN					TIN								
300/233C1500082		TIN	GOLD	300/233C1500162					TIN		GOLD	300/233C1500242	TIN					GOLD								
300/233C1500083	GOLD	GOLD	300/233C1500163	GOLD	GOLD	300/233C1500243	GOLD	GOLD																		
300/233C1070621	18	100 nF	TIN	TIN	22.78	10.08	7.62	4.00	300/233C1070661	24	100 nF	TIN	TIN	30.40	10.08	7.62	4.00	300/233C1070701	40	100 nF	TIN	TIN	50.72	17.70	15.24	11.10
300/233C1070622			TIN	GOLD					300/233C1070662			TIN	GOLD					300/233C1070702			TIN	GOLD				
300/233C1070623			GOLD	GOLD					300/233C1070663			GOLD	GOLD					300/233C1070703			GOLD	GOLD				
300/233C1500091			TIN	TIN					300/233C1500171			TIN	TIN					300/233C1500251			TIN	TIN				
300/233C1500092		TIN	GOLD	300/233C1500172					TIN		GOLD	300/233C1500252	TIN					GOLD								
300/233C1500093		GOLD	GOLD	300/233C1500173					GOLD		GOLD	300/233C1500253	GOLD					GOLD								
300/233C1500101		TIN	TIN	300/233C1500181					TIN		TIN	300/233C1500261	TIN					TIN								
300/233C1500102		TIN	GOLD	300/233C1500182					TIN		GOLD	300/233C1500262	TIN					GOLD								
300/233C1500103	GOLD	GOLD	300/233C1500183	GOLD	GOLD	300/233C1500263	GOLD	GOLD																		

NOTES:

847		
VCN	CCN	AQE
APPLICATION		

ITEM #	QTY REQD	UNIT MEASURE	PART OR IDENTIFYING NO.	NOMENCLATURE OR DESCRIPTION	MATERIAL SPECIFICATION
PARTS LIST					
TOLERANCES (UNLESS OTHERWISE SPECIFIED)			CONTRACT NO.		
MATERIAL			APPROVALS		DATE
FINISH			DRAWN		
			CHECKED		
			ISSUED		
SIZE		FSCM NO.	DWG NO.		REV.
B		8U759	300/233C107060-2		
SCALE			NONE		SHEET 2 OF 2

ALPHA PRODUCTS, INC.
 351 IRVING DR, OXNARD, CA 93030 USA
 TEL: (805)981-8666 FAX: (805)988-6555
 E-MAIL: info@alpha-products.com

PRECISION IC SOCKET, W/CAPACITOR