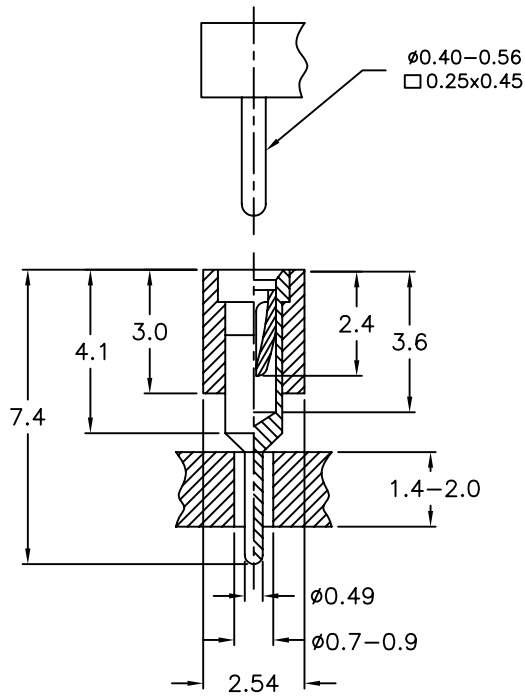
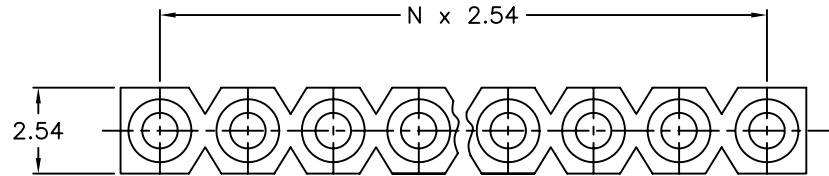


All information on this drawing is proprietary and may not be reproduced in any manner or made available to any unauthorized person/party without written permission of ALPHA PRODUCTS, INC.

REVISIONS			
REV.	DESCRIPTION	DATE	APPROVED

- MARKING:
- BAGGING:
- PACKING:
- LOGO (ALPHA ONLY):
- FULL LOGO:



PART NUMBER	# OF POSITIONS	SLEEVE PLATING	CLIP PLATING
300/233C1069111	20	TIN	TIN
300/233C1069112		TIN	GOLD
300/233C1069113		GOLD	GOLD
300/233C1069211	32	TIN	TIN
300/233C1069212		TIN	GOLD
300/233C1069213		GOLD	GOLD
300/233C1500017	64	TIN	TIN
300/233C1500018		TIN	GOLD
300/233C1500019		GOLD	GOLD

1. ALL DIMENSIONS ARE IN MM.

NOTES:

847		
VCN	CCN	AQE
APPLICATION		

ITEM #	QTY REQD	UNIT MEASURE	PART OR IDENTIFYING NO.	NOMENCLATURE OR DESCRIPTION	MATERIAL SPECIFICATION
PARTS LIST					
TOLERANCES (UNLESS OTHERWISE SPECIFIED)			CONTRACT NO.		
MATERIAL			APPROVALS		DATE
FINISH			DRAWN		
			CHECKED		
			ISSUED		
					351 IRVING DR, OXNARD, CA 93030 USA TEL: (805)981-8666 FAX: (805)988-6555 E-MAIL: info@alpha-products.com
PRECISION IC SOCKET, STRIP, SINGLE IN LINE					
SIZE	FSCM NO.	DWG NO.	REV.		
B	8U759	300/233C1069g			
SCALE			NONE		SHEET 1 OF 2

DO NOT SCALE DRAWING