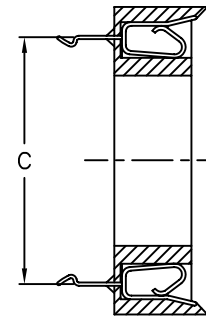
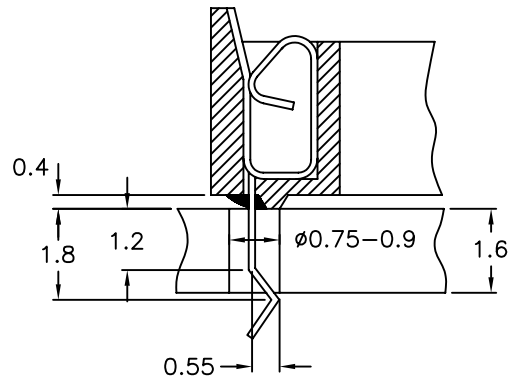
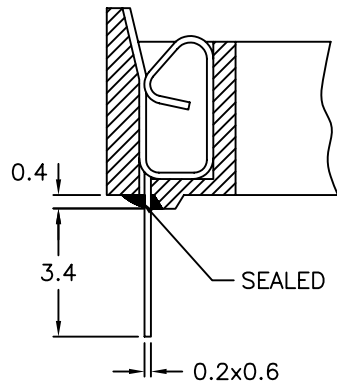
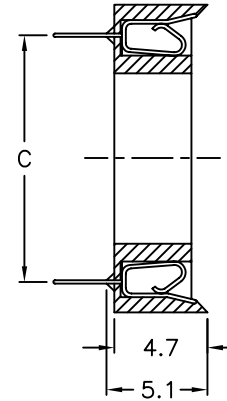
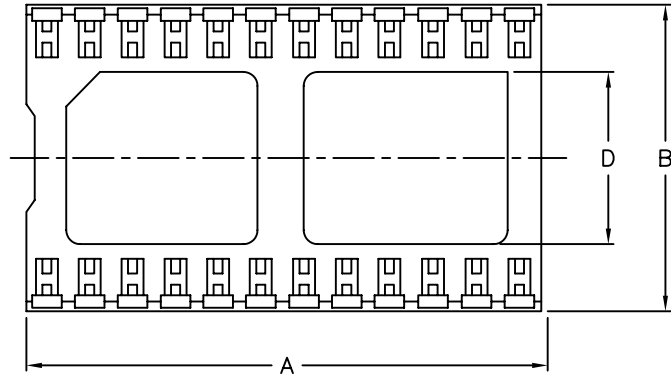


All information on this drawing is proprietary and may not be reproduced in any manner or made available to any unauthorized person/party without written permission of ALPHA PRODUCTS, INC.

REVISIONS			
REV.	DESCRIPTION	DATE	APPROVED


- MARKING:
- BAGGING:
- PACKING:
- LOGO (ALPHA ONLY):
- FULL LOGO:



2. SEE PAGE 2 FOR PART NUMBERS AND DIMENSIONS.  
 1. ALL DIMENSIONS ARE IN MM.

NOTES:

847		
VCN	CCN	AQE
APPLICATION		

ITEM #	QTY REQD	UNIT MEASURE	PART OR IDENTIFYING NO.	NOMENCLATURE OR DESCRIPTION	MATERIAL SPECIFICATION	
PARTS LIST						
TOLERANCES (UNLESS OTHERWISE SPECIFIED)				CONTRACT NO.	 351 IRVING DR, OXNARD, CA 93030 USA TEL: (805)981-8666 FAX: (805)988-6555 E-MAIL: info@alpha-products.com	
MATERIAL				APPROVALS		DATE
FINISH				DRAWN		
APPLICATION				CHECKED		
DO NOT SCALE DRAWING				ISSUED		
			PRECISION IC SOCKET			
		SIZE	FSCM NO.	DWG NO.	REV.	
		B	8U759	300/233C10694-1		
SCALE			NONE		SHEET 1 OF 2	


All information on this drawing is proprietary and may not be reproduced in any manner or made available to any unauthorized person/party without written permission of ALPHA PRODUCTS, INC.

REVISIONS			
REV.	DESCRIPTION	DATE	APPROVED

PART NUMBER	# OF POS.	CONTACT		DIM "A"	DIM "B"	DIM "C"	DIM "D"	PART NUMBER	# OF POS.	CONTACT		DIM "A"	DIM "B"	DIM "C"	DIM "D"	PART NUMBER	# OF POS.	CONTACT		DIM "A"	DIM "B"	DIM "C"	DIM "D"
		MATERIAL	TYPE							MATERIAL	TYPE							MATERIAL	TYPE				
300/233C1069401	6	PhBz	STR/NOT SEALED	7.54	10.08	7.62	3.00	300/233C1069801	18	PhBz	STR/NOT SEALED	22.78	10.08	7.62	3.00	300/233C1070201	28	PhBz	STR/NOT SEALED	35.48	10.08	7.62	3.00
300/233C1069402			STR/SEALED					300/233C1069802			STR/SEALED					300/233C1070202			STR/SEALED				
300/233C1069403			BENT/NOT SEALED					300/233C1069803			BENT/NOT SEALED					300/233C1070203			BENT/NOT SEALED				
300/233C1069404			BENT/SEALED					300/233C1069804			BENT/SEALED					300/233C1070204			BENT/SEALED				
300/233C1069405		BeCu	STR/NOT SEALED					300/233C1069805		STR/NOT SEALED	300/233C1070205					STR/NOT SEALED							
300/233C1069406			STR/SEALED					300/233C1069806		STR/SEALED	300/233C1070206					STR/SEALED							
300/233C1069407			BENT/NOT SEALED					300/233C1069807		BENT/NOT SEALED	300/233C1070207					BENT/NOT SEALED							
300/233C1069408			BENT/SEALED					300/233C1069808		BENT/SEALED	300/233C1070208					BENT/SEALED							
300/233C1069501	8	PhBz	STR/NOT SEALED	10.08	10.08	7.62	3.00	300/233C1069901	20	PhBz	STR/NOT SEALED	25.32	10.08	7.62	3.00	300/233C1070301	28	PhBz	STR/NOT SEALED	35.48	17.70	15.24	9.7
300/233C1069502			STR/SEALED					300/233C1069902			STR/SEALED					300/233C1070302			STR/SEALED				
300/233C1069503			BENT/NOT SEALED					300/233C1069903			BENT/NOT SEALED					300/233C1070303			BENT/NOT SEALED				
300/233C1069504			BENT/SEALED					300/233C1069904			BENT/SEALED					300/233C1070304			BENT/SEALED				
300/233C1069505		BeCu	STR/NOT SEALED					300/233C1069905		STR/NOT SEALED	300/233C1070305					STR/NOT SEALED							
300/233C1069506			STR/SEALED					300/233C1069906		STR/SEALED	300/233C1070306					STR/SEALED							
300/233C1069507			BENT/NOT SEALED					300/233C1069907		BENT/NOT SEALED	300/233C1070307					BENT/NOT SEALED							
300/233C1069508			BENT/SEALED					300/233C1069908		BENT/SEALED	300/233C1070308					BENT/SEALED							
300/233C1069601	14	PhBz	STR/NOT SEALED	17.70	10.08	7.62	3.00	300/233C1070001	24	PhBz	STR/NOT SEALED	30.40	10.08	7.62	3.00	300/233C1070401	32	PhBz	STR/NOT SEALED	40.56	17.70	15.24	9.7
300/233C1069602			STR/SEALED					300/233C1070002			STR/SEALED					300/233C1070402			STR/SEALED				
300/233C1069603			BENT/NOT SEALED					300/233C1070003			BENT/NOT SEALED					300/233C1070403			BENT/NOT SEALED				
300/233C1069604			BENT/SEALED					300/233C1070004			BENT/SEALED					300/233C1070404			BENT/SEALED				
300/233C1069605		BeCu	STR/NOT SEALED					300/233C1070005		STR/NOT SEALED	300/233C1070405					STR/NOT SEALED							
300/233C1069606			STR/SEALED					300/233C1070006		STR/SEALED	300/233C1070406					STR/SEALED							
300/233C1069607			BENT/NOT SEALED					300/233C1070007		BENT/NOT SEALED	300/233C1070407					BENT/NOT SEALED							
300/233C1069608			BENT/SEALED					300/233C1070008		BENT/SEALED	300/233C1070408					BENT/SEALED							
300/233C1069701	16	PhBz	STR/NOT SEALED	20.24	10.08	7.62	3.00	300/233C1070101	24	PhBz	STR/NOT SEALED	30.40	17.70	15.24	9.7	300/233C1070501	40	PhBz	STR/NOT SEALED	50.72	17.70	15.24	9.7
300/233C1069702			STR/SEALED					300/233C1070102			STR/SEALED					300/233C1070502			STR/SEALED				
300/233C1069703			BENT/NOT SEALED					300/233C1070103			BENT/NOT SEALED					300/233C1070503			BENT/NOT SEALED				
300/233C1069704			BENT/SEALED					300/233C1070104			BENT/SEALED					300/233C1070504			BENT/SEALED				
300/233C1069705		BeCu	STR/NOT SEALED					300/233C1070105		STR/NOT SEALED	300/233C1070505					STR/NOT SEALED							
300/233C1069706			STR/SEALED					300/233C1070106		STR/SEALED	300/233C1070506					STR/SEALED							
300/233C1069707			BENT/NOT SEALED					300/233C1070107		BENT/NOT SEALED	300/233C1070507					BENT/NOT SEALED							
300/233C1069708			BENT/SEALED					300/233C1070108		BENT/SEALED	300/233C1070508					BENT/SEALED							

NOTES:

847		
VCN	CCN	AQE
APPLICATION		

ITEM #	QTY REQD	UNIT MEASURE	PART OR IDENTIFYING NO.	NOMENCLATURE OR DESCRIPTION	MATERIAL SPECIFICATION
PARTS LIST					
TOLERANCES (UNLESS OTHERWISE SPECIFIED)			CONTRACT NO.		 351 IRVING DR, OXNARD, CA 93030 USA TEL: (805)981-8666 FAX: (805)988-6555 E-MAIL: info@alpha-products.com
MATERIAL			APPROVALS	DATE	
FINISH			DRAWN		
			CHECKED		
			ISSUED		
DO NOT SCALE DRAWING			SIZE B FSCM NO. 8U759 DWG NO. 300/233C10694-2 REV.		
SCALE			NONE		SHEET 2 OF 2