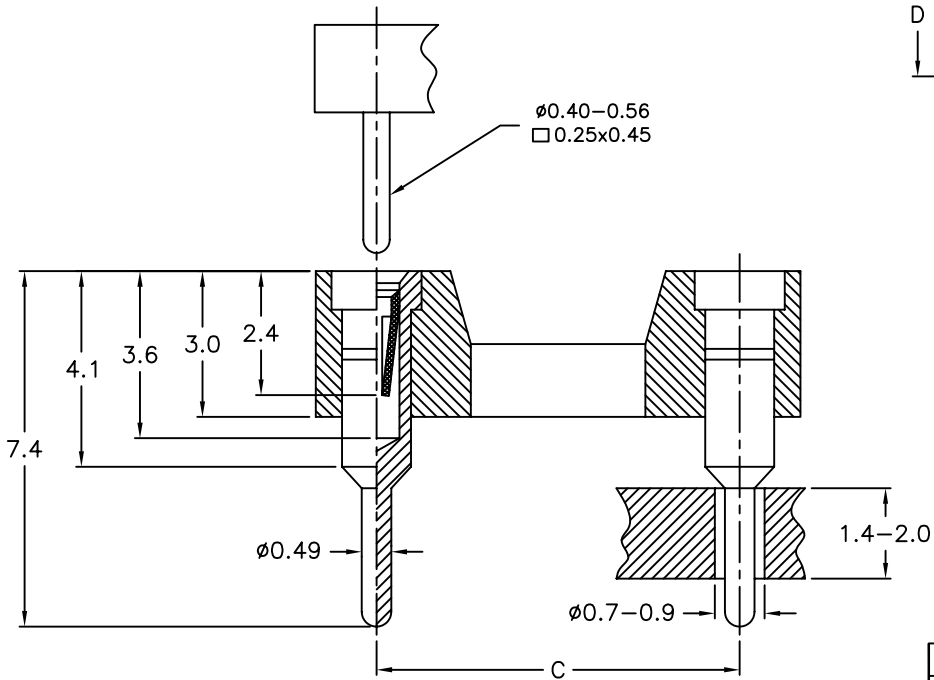
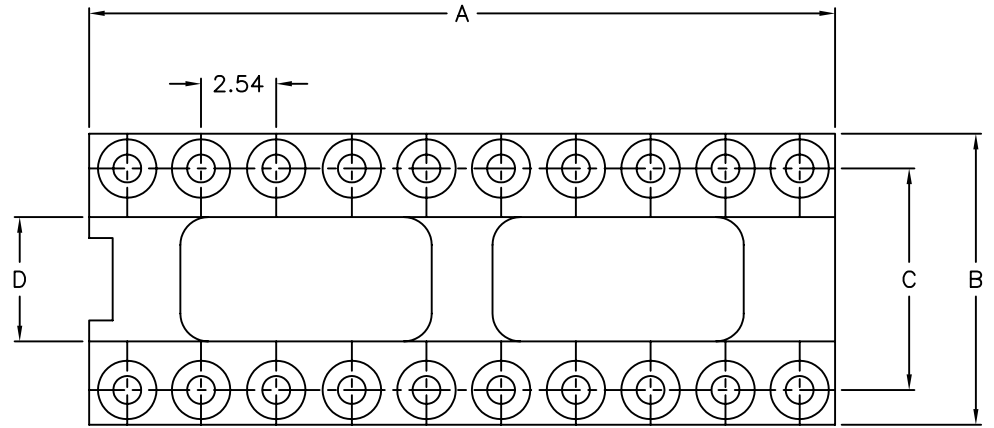


CAD NO. 233C10693g SH REV.

All information on this drawing is proprietary and may not be reproduced in any manner or made available to any unauthorized person/party without written permission of ALPHA PRODUCTS, INC.

REVISIONS			
REV.	DESCRIPTION	DATE	APPROVED

- MARKING:
- BAGGING:
- PACKING:
- LOGO (ALPHA ONLY):
- FULL LOGO:



2. SEE PAGE 2 FOR PART NUMBERS AND DIMENSIONS.  
 1. ALL DIMENSIONS ARE IN MM.

NOTES:

847		
VCN	CCN	AQE
APPLICATION		

ITEM #	QTY REQD	UNIT MEASURE	PART OR IDENTIFYING NO.	NOMENCLATURE OR DESCRIPTION	MATERIAL SPECIFICATION
PARTS LIST					
TOLERANCES (UNLESS OTHERWISE SPECIFIED)			CONTRACT NO.		
MATERIAL			APPROVALS		DATE
FINISH			DRAWN		
			CHECKED		
			ISSUED		
				351 IRVING DR, OXNARD, CA 93030 USA TEL: (805)981-8666 FAX: (805)988-6555 E-MAIL: info@alpha-products.com	
PRECISION IC SOCKET, STAND-OFF					
SIZE	FSCM NO.	DWG NO.	REV.		
B	8U759	300/233C10693-1			
SCALE			NONE		SHEET 1 OF 2
DO NOT SCALE DRAWING					


CAD NO. 233C10693g SH REV.

All information on this drawing is proprietary and may not be reproduced in any manner or made available to any unauthorized person/party without written permission of ALPHA PRODUCTS, INC.

REVISIONS			
REV.	DESCRIPTION	DATE	APPROVED

PART NUMBER	# OF POS.	DIM "A"	DIM "B"	DIM "C"	DIM "D"	SLEEVE PLATING	CLIP PLATING
300/233C1069301	8	10.8	10.08	7.62	4.00	TIN	TIN
300/233C1069302						TIN	GOLD
300/233C1069303						GOLD	GOLD
300/233C1069311	14	17.70	10.08	7.62	4.00	TIN	TIN
300/233C1069312						TIN	GOLD
300/233C1069313						GOLD	GOLD
300/233C1069321	16	20.24	10.08	7.62	4.00	TIN	TIN
300/233C1069322						TIN	GOLD
300/233C1069323						GOLD	GOLD
300/233C1069331	18	22.78	10.08	7.62	4.00	TIN	TIN
300/233C1069332						TIN	GOLD
300/233C1069333						GOLD	GOLD
300/233C1069341	20	25.32	10.08	7.62	4.00	TIN	TIN
300/233C1069342						TIN	GOLD
300/233C1069343						GOLD	GOLD

PART NUMBER	# OF POS.	DIM "A"	DIM "B"	DIM "C"	DIM "D"	SLEEVE PLATING	CLIP PLATING
300/233C1069351	24	30.40	10.08	7.62	4.00	TIN	TIN
300/233C1069352						TIN	GOLD
300/233C1069353						GOLD	GOLD
300/233C1069361	24	30.40	17.70	15.24	11.10	TIN	TIN
300/233C1069362						TIN	GOLD
300/233C1069363						GOLD	GOLD
300/233C1069371	28	35.48	17.70	15.24	11.10	TIN	TIN
300/233C1069372						TIN	GOLD
300/233C1069373						GOLD	GOLD
300/233C1069381	32	40.56	17.70	15.24	11.10	TIN	TIN
300/233C1069382						TIN	GOLD
300/233C1069383						GOLD	GOLD
300/233C1069391	40	50.72	17.70	15.24	11.10	TIN	TIN
300/233C1069392						TIN	GOLD
300/233C1069393						GOLD	GOLD

ITEM #	QTY REQD	UNIT MEASURE	PART OR IDENTIFYING NO.	NOMENCLATURE OR DESCRIPTION	MATERIAL SPECIFICATION
PARTS LIST					
TOLERANCES (UNLESS OTHERWISE SPECIFIED)				CONTRACT NO.	 351 IRVING DR, OXNARD, CA 93030 USA TEL: (805)981-8666 FAX: (805)988-6555 E-MAIL: info@alpha-products.com
MATERIAL				APPROVALS	
FINISH				DRAWN	
APPLICATION				CHECKED	
DO NOT SCALE DRAWING				ISSUED	
SIZE		FSCM NO.	DWG NO.	REV.	
B		8U759	300/233C10693-2		
SCALE			NONE	SHEET 2 OF 2	

NOTES:

847		
VCN	CCN	AQE